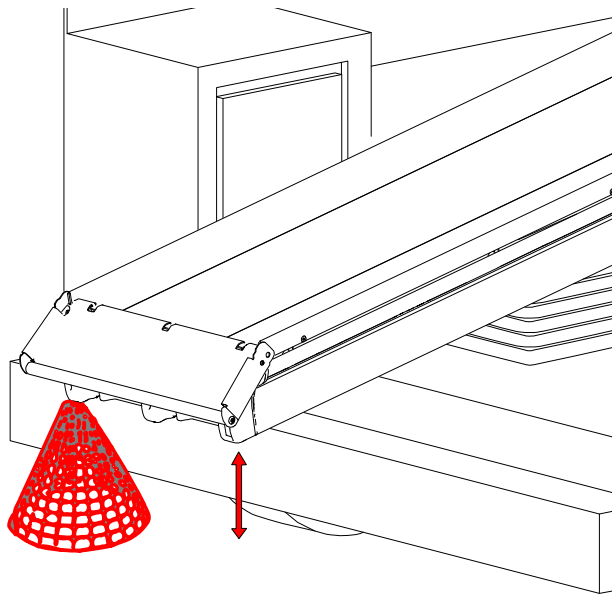


PROXIMITY SENSOR

For Spencer stretcher supports



Innovative and patented system which automatically adjust the loading height of the stretcher support according to the conditions of the terrain and of the vehicle load. This accessory is factory installed upon request and is compatible with stretcher supports which can be extracted in tilted position.

Specific features

Automatic adjustment of the loading height

The device adapts the loading height reconfiguring the setting to the preset parameters, evaluating the distance from the ground

BO10107 - PROXIMITY SENSOR FOR
BOB

Rev.0 (12/06/2018)

UNCHECKED COPY – further revisions will be available on <http://support.spencer.it>
Spencer Italia S.r.l. Sala Baganza (PR) Italia Tel. +39.0521.541111 Fax +39.0521.541222

spencer.it