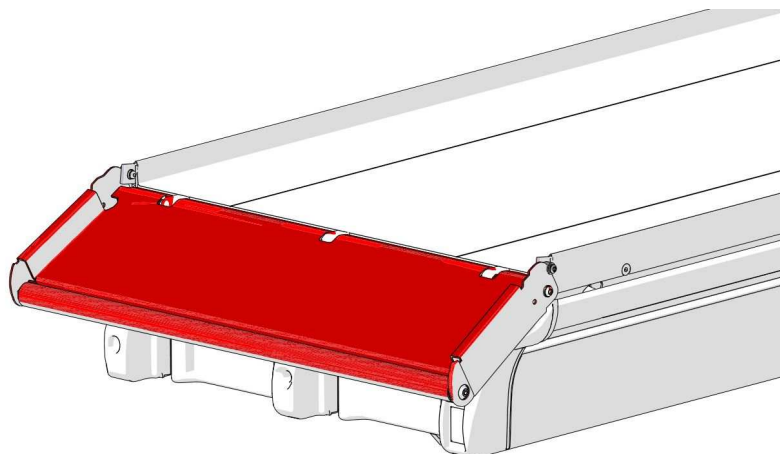


BOB

Slide 180 mm



Optional slide to be installed on BOB stretcher supports to allow an easier loading of the stretcher.

Specific features

Stainless steel body to increase resistance
Can be raised to allow access to the stretcher support housing

Technical data

Length	180 mm
Material	Stainless steel

BO10101 - 180mm RAMP FOR BOB

Rev.0 (15/06/2017)

UNCHECKED COPY – further revisions will be available on <http://support.spencer.it>
Spencer Italia S.r.l. Sala Baganza (PR) Italia Tel. +39.0521.541111 Fax +39.0521.541222

www.spencer.it