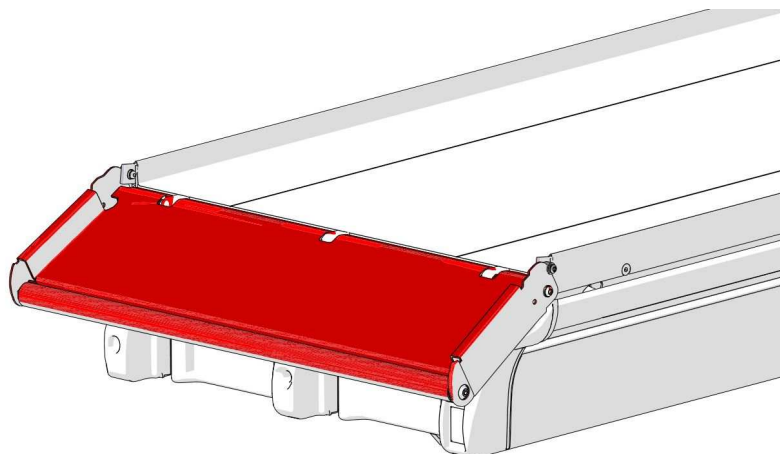


## BOB

Slide 350 mm



Optional slide to be installed on BOB stretcher supports to allow an easier loading of the stretcher.

### Specific features

Stainless steel body to increase resistance  
Can be raised to allow access to the stretcher support housing

### Technical data

Length	350 mm
Material	Stainless steel

BO10102 - 350mm RAMP FOR BOB

Rev.0 (15/06/2017)

UNCHECKED COPY – further revisions will be available on <http://support.spencer.it>  
Spencer Italia S.r.l. Sala Baganza (PR) Italia Tel. +39.0521.541111 Fax +39.0521.541222

[www.spencer.it](http://www.spencer.it)