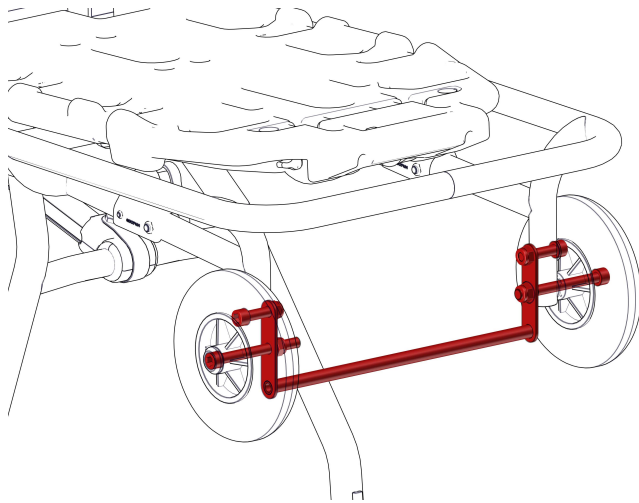


## ADAPTER

To lower the loading height



Accessory that can be installed on Spencer self loading stretchers with the aim to reduce the standard loading height.

### Specific features

Safe and easy to install  
 Suitable for Cross and Carrera stretchers of any loading height, except 10G models

### Technical data

Material	Steel
Height reduction compared to the standard	42,5 mm
Weight	450 ± 50g

ADAPTER TO REDUCE LOADING  
 CARRIAGE HEIGHT  
**CR90020B**

Rev.1 (18/07/2017)

UNCHECKED COPY – further revisions will be available on <http://support.spencer.it>  
 Spencer Italia S.r.l. Sala Baganza (PR) Italia Tel. +39.0521.541111 Fax +39.0521.541222

[www.spencer.it](http://www.spencer.it)