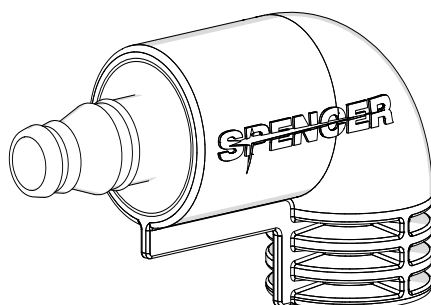


ANTIBACTERIAL FILTER



Disposable antibacterial filter for Spencer suction devices Homejet, Ambujet and Jet Wire. It's not compatible with Serres canisters. Its application is fundamental to prevent the passage of contaminants between the collection canister and the suction device.

Specific Characteristics

The semi-rigid body allows easy installation

The univocal possibility of connection between the canister and suction unit limits risks of incorrect connections

Once installed, confers more stability to the collection canister reducing vibrations

Doesn't requires additional connection tubes

Technical data

Dimensions	90x45x30 mm
Bacterial filtration efficiency	99,9%
Weight	35 g

DISPOSABLE FILTER GROUP AMBUJET - HOMEJET
RISC005B

Rev.1 (15/01/2018)

UNCHECKED COPY – further revisions will be available on <http://support.spencer.it>
Spencer Italia S.r.l. Sala Baganza (PR) Italia Tel. +39.0521.541111 Fax +39.0521.541222

www.spencer.it