

STX 494

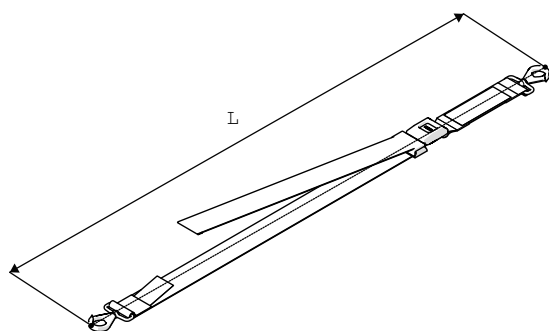
Two piece belt with metal snap hook



STX 494 restraint belts are aids used to obtain a degree of restraint that allows patients to be transported safely when used in accordance with the product in use.

Specific features

Snap hooks provide quick fastening and maximum safety
Suitable for use with spine boards equipped with PINS



Technical data ¹

	Min (mm)	Max (mm)
Length L	450	1600
Belt width	50 mm	
Materials	Nylon, chrome-plated steel, plastic	
Belt weight	390 ± 10 g	
Belt type	2 pieces	
Hook	Spring catch	

¹ Indicated lengths are subject to tolerances of ± 30 mm

Class I MD compliant with UE Reg. 2017/745

STX 494 - 2 PC BELT W/METAL
BUCKLE W/CARABINER

ST00494B

CND Classification

Registration number



V9099

96068

Rev.0 (08/01/2021)

UNCHECKED COPY – further revisions will be available on <http://support.spencer.it>
Spencer Italia S.r.l. Sala Baganza (PR) Italia Tel. +39.0521.541111 Fax +39.0521.541222

www.spencer.it