

STX 499

Universal adjustable thorax belt



STX 499 restraint belts are aids used to obtain a degree of restraint that allows patients to be transported safely when used in accordance with the product in use.

Specific features

4 Components system extremely versatile and easy to use thanks to the single metal buckle with quick release system

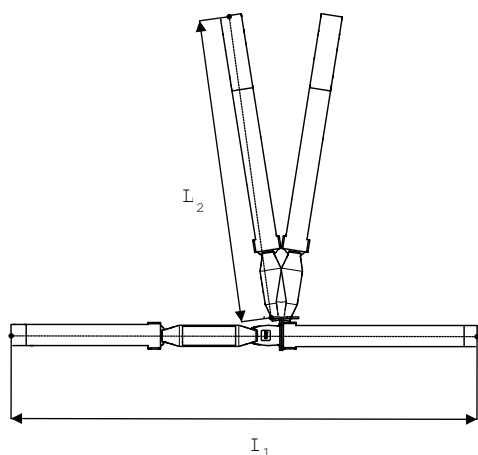
Thanks to the stress distribution on 4 belts, offers greater patient comfort

Metal buckle to ensure maximum safety

Technical data ¹

	Min (mm)	Max (mm)
Length L ₁	600	1700
Length L ₂	300	1200
Belt width	50 mm	
Materials	Nylon, chrome-plated steel, plastic	
Weight	630 g	
Belt type	4-piece thorax belt	
Hook	Metal	

¹ The measures are the maximum reachable. The effective length can vary depending on the device and the knot done to fix the belt to the stretcher



Class I MD compliant with UE Reg. 2017/745

STX 499 - 4 PCS ADJUSTABLE
THORAX BELT BLACK

ST00535B

CND Classification



V9099

Registration number

806697

Rev.0 (08/01/2021)

UNCHECKED COPY – further revisions will be available on <http://support.spencer.it>

Spencer Italia S.r.l. Sala Baganza (PR) Italia Tel. +39.0521.541111 Fax +39.0521.541222

www.spencer.it