

K BELT 3

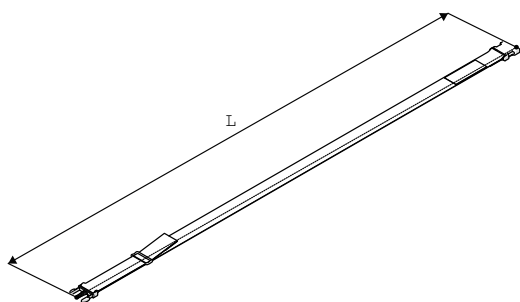
Belts one piece with bag



K Belt 3 restraint belts are aids used to obtain a degree of restraint that allows patients to be transported safely when used in accordance with the product in use.

Specific features

- Nylon hook to ensure maximum safety
- Suitable for spinal boards, pick up stretchers or other type of fastening
- Transport bag for a neater storage



Technical data ¹

	Min (mm)	Max (mm)
Length L	400	1900
Belt width	50 mm	
Materials	Nylon	
Single belt weight	130 ± 10 g	
Kit weight	450 ± 20 g	
Belt type	1 piece	
Hook	Plastic	

¹ The indicated lengths are subject to tolerances of ± 30 mm

ST00593A

K BELT 3 - THREE ONE PIECE BELTS STX 597

SET consisting of the following MD compliant with UE Reg. 2017/745

ST00597A – STX 597	Reg. n. 95879	CND V9099
--------------------	---------------	-----------

Rev.0 (08/01/2021)

UNCHECKED COPY – further revisions will be available on <http://support.spencer.it>
 Spencer Italia S.r.l. Sala Baganza (PR) Italia Tel. +39.0521.541111 Fax +39.0521.541222

www.spencer.it