

K BELT 1

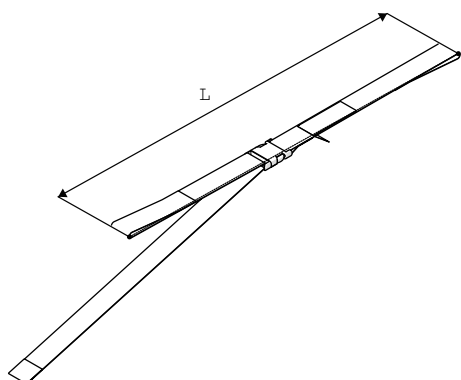
Belts two piece with bag



K Belt 1 restraint belts are aids used to obtain a degree of restraint that allows patients to be transported safely when used in accordance with the product in use.

Specific features

- Nylon hook to ensure maximum safety
- Suitable for self-loading stretchers, basket stretchers and spinal boards
- Transport bag for a neater storage



Technical data ¹

	Min (mm)	Max (mm)
Length L	700	1500
Available length after the knot has been done ²	460	1250
Belt width	50 mm	
Materials	Nylon	
Single belt weight	130 ± 10 g	
Kit weight	445 ± 20 g	
Belt type	2 pieces	
Hook	Plastic	

¹ The indicated lengths are subject to tolerances of ± 30 mm

² Approximate value. It varies depending on which device the belt is applied

ST00594A

K BELT 1 - THREE TWO PIECE BELTS STX 598

SET consisting of the following MD compliant with UE Reg. 2017/745

ST00598A – STX 598

Reg. n. 96090

CND V9099

Rev.0 (08/01/2021)

UNCHECKED COPY – further revisions will be available on <http://support.spencer.it>
 Spencer Italia S.r.l. Sala Baganza (PR) Italia Tel. +39.0521.541111 Fax +39.0521.541222

www.spencer.it