

STX 598

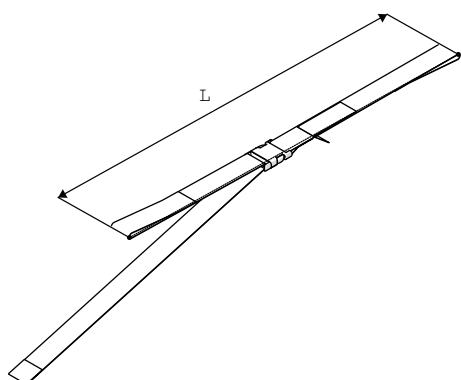
Two piece belt



STX 598 restraint belts are aids used to obtain a degree of restraint that allows patients to be transported safely when used in accordance with the product in use.

Specific features

Nylon hook to ensure maximum safety
Suitable for self-loading stretchers, basket stretchers and spinal boards



Technical data ¹

	Min (mm)	Max (mm)
Length L	700	1500
Available length after knot has been done ²	460	1250
Belt width	50 mm	
Material	Nylon	
Belt weight	130 ± 10 g	
Belt type	2 pieces	
Hook	Plastic	

¹ The indicated lengths are subject to tolerances of ± 30 mm

² Approximate value. It varies depending on which device the belt is applied

Class I MD compliant with UE Reg. 2017/745

MOD 598 RESTRAINT BELT 2 PCS.

DERLIN

ST00598A

CND Classification



V9099

Registration number

96090

Rev.0 (08/01/2021)

UNCHECKED COPY – further revisions will be available on <http://support.spencer.it>

Spencer Italia S.r.l. Sala Baganza (PR) Italia Tel. +39.0521.541111 Fax +39.0521.541222

www.spencer.it